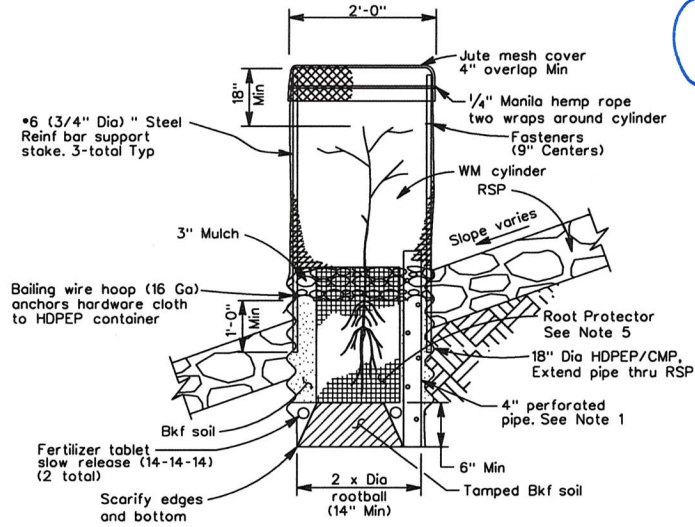


TREE & SHRUB SLOPE PLANTING DETAIL

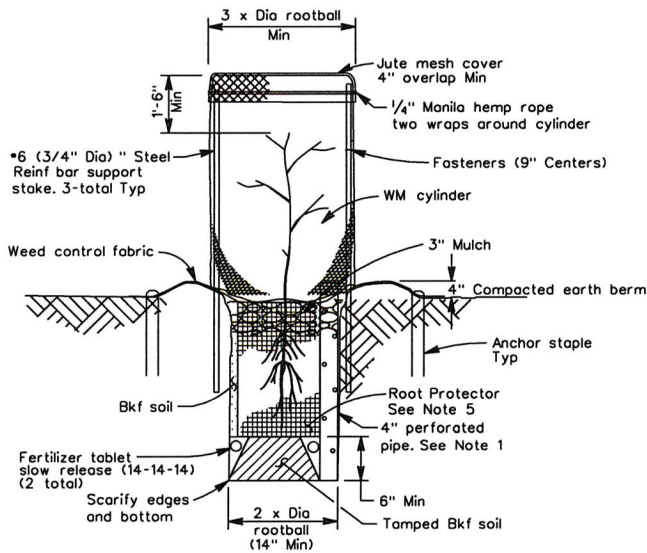


TREE & SHRUB ROCK SLOPE PLANTING DETAIL

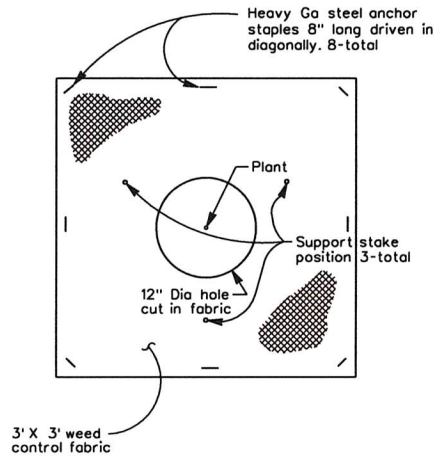
Julia R Bueren
 PUBLIC WORKS DIRECTOR
 March 11, 2014
 PLANS APPROVAL DATE

REGISTERED PROFESSIONAL ENGINEER
 JULIA R BUEREN
 No. 37937
 CIVIL
 STATE OF CALIFORNIA

The County of Contra Costa or its officers or agents shall not be responsible for the accuracy or completeness of electronic copies of this plan sheet.



TREE & SHRUB PLANTING DETAIL



WEED CONTROL FABRIC DETAIL

NOTES:

- 4" diameter perforated pipe shall be positioned so that it is a minimum of 1" from finish grade of planting pit, and wire mesh deformed such that it lies outside of the wire mesh foliage protector.
- Foliage protector shall be a minimum of 4' high and 18" clear from top of plant.
- All plants shall be as shown on project plans, or as specified by the Public Works Department.
- Minimum spacing between trees shall be 10', all ways. Minimum spacing between shrubs shall be 5', all ways. All plants shall be 1-Gallon size unless otherwise specified on construction plans. Plant selection (mature size) shall be appropriate for the space available.
- Install root protectors when shown on project plans, when specified in project special provisions, or as directed by the Public Works Department. Root protector shall be fabricated from 1", hexagonal pattern, 20-gauge galvanized wire mesh having a diameter that will provide a minimum clearance of 6" between the root ball and all sides of the basket. Basket shall extend 3" above finished grade.

COUNTY OF CONTRA COSTA
 PUBLIC WORKS DEPARTMENT
 MARTINEZ, CALIFORNIA
 STANDARD PLAN

**MITIGATION LANDSCAPING
 DETAILS**

SCALE: NO SCALE DATE: 3/14

DRAWN BY: H. HUSSEY/L. COSTA PLAN NO.

CHECKED BY: M. HOLLINGSWORTH

CH10

NO.	DATE	REVISION	DESCRIPTION	BY